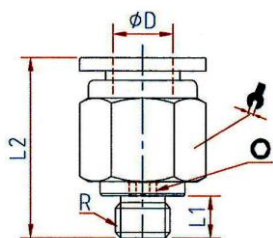


Push-in fittings series manufactured in plastic and nickel-plated brass.
Space-saving miniature design.

| | |
|-------------------|---------------------------------|
| Working pressure | -0.95 - 10 bar |
| Temperature range | 0 °C to 60 °C |
| Material | Plastic and nickel-plated brass |
| Sleeve | Plastic |
| Medium | Compressed air |
| Recommended hose | PU or PA (nylon) |



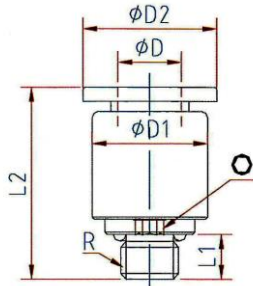
122.018-6M



123.018-4M

Male connector, male thread with outer hex, mini

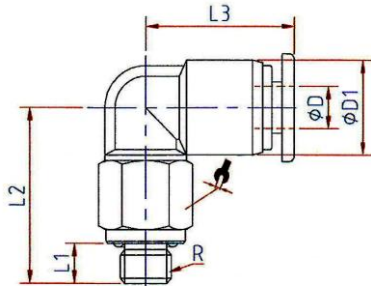
| Art. No. | Type No. | Thread | For tube O.D. mm | L1 mm | L2 mm | a/f mm | Standard thread |
|----------|------------|--------|---------------------|----------|----------|-----------|--------------------------------|
| 148783 | 122.003-3M | M3 | 3 | 3.0 | 15.2 | 5.5 | DIN 13-1, O-ring (NBR) |
| 148784 | 122.003-4M | M3 | 4 | 3.0 | 16.4 | 8 | DIN 13-1, O-ring (NBR) |
| 148785 | 122.005-3M | M5 | 3 | 3.5 | 15.8 | 8 | DIN 13-1, O-ring (NBR) |
| 148786 | 122.005-4M | M5 | 4 | 3.5 | 16.9 | 8 | DIN 13-1, O-ring (NBR) |
| 148787 | 122.005-6M | M5 | 6 | 3.5 | 17.8 | 10 | DIN 13-1, O-ring (NBR) |
| 148788 | 122.006-3M | M6 | 3 | 4.5 | 15.9 | 9 | DIN 13-1, O-ring (NBR) |
| 148789 | 122.006-4M | M6 | 4 | 4.5 | 18.2 | 9 | DIN 13-1, O-ring (NBR) |
| 148790 | 122.006-6M | M6 | 6 | 4.5 | 18.7 | 10 | DIN 13-1, O-ring (NBR) |
| 148791 | 122.018-4M | G 1/8 | 4 | 5.5 | 18.2 | 10 | DIN EN ISO 228-1, O-ring (NBR) |
| 148792 | 122.018-6M | G 1/8 | 6 | 5.5 | 18.3 | 10 | DIN EN ISO 228-1, O-ring (NBR) |
| 148793 | 123.018-4M | R 1/8 | 4 | 8.0 | 18.7 | 10 | ISO 7-1, coated |
| 148794 | 123.018-6M | R 1/8 | 6 | 8.0 | 19.1 | 10 | ISO 7-1, coated |



207.005-4M

Male connector, round, mini

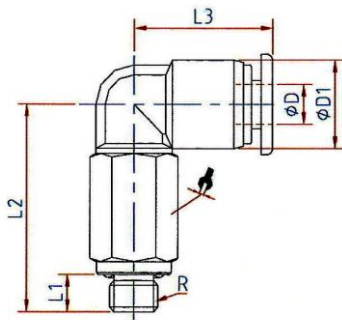
| Art. No. | Type No. | Thread | For tube O.D. mm | L1 mm | L2 mm | Ø D1 mm | Ø D2 mm | Standard thread |
|----------|------------|--------|---------------------|----------|----------|------------|------------|--------------------------------|
| 148799 | 207.003-3M | M3 | 3 | 3.0 | 14.7 | 5.5 | 7.0 | DIN 13-1, O-ring (NBR) |
| 148800 | 207.003-4M | M3 | 4 | 3.0 | 16.3 | 8.0 | 8.5 | DIN 13-1, O-ring (NBR) |
| 148801 | 207.005-3M | M5 | 3 | 3.5 | 15.3 | 8.0 | 7.0 | DIN 13-1, O-ring (NBR) |
| 148802 | 207.005-4M | M5 | 4 | 3.5 | 16.8 | 8.0 | 8.5 | DIN 13-1, O-ring (NBR) |
| 148803 | 207.005-6M | M5 | 6 | 3.5 | 17.7 | 10.0 | 10.0 | DIN 13-1, O-ring (NBR) |
| 148804 | 207.006-3M | M6 | 3 | 4.5 | 15.8 | 10.0 | 7.0 | DIN 13-1, O-ring (NBR) |
| 148805 | 207.006-4M | M6 | 4 | 4.5 | 18.2 | 8.0 | 8.6 | DIN 13-1, O-ring (NBR) |
| 148806 | 207.006-6M | M6 | 6 | 4.5 | 18.7 | 10.0 | 10.0 | DIN 13-1, O-ring (NBR) |
| 152274 | 207.007-4M | M7 | 4 | 6.0 | 19.7 | 10.0 | 8.7 | DIN 13-1, O-ring (NBR) |
| 152276 | 207.007-6M | M7 | 6 | 6.1 | 20.2 | 10.0 | 10.0 | DIN 13-1, O-ring (NBR) |
| 148809 | 207.018-4M | G 1/8 | 4 | 5.5 | 18.0 | 10.0 | 8.6 | DIN EN ISO 228-1, O-ring (NBR) |
| 148810 | 207.018-6M | G 1/8 | 6 | 5.5 | 18.2 | 12.0 | 10.0 | DIN EN ISO 228-1, O-ring (NBR) |
| 148811 | 208.018-4M | R 1/8 | 4 | 8.0 | 19.0 | 10.0 | 8.6 | ISO 7-1, coated |
| 148812 | 208.018-6M | R 1/8 | 6 | 8.0 | 19.0 | 10.0 | 9.9 | ISO 7-1, coated |



125.006-4M

Male elbow, swivel type, mini

| Art. No. | Type No. | Thread | For tube O.D. mm | L1 mm | L2 mm | L3 mm | Ø D1 mm | a/f mm | Standard thread |
|----------|------------|--------|---------------------|----------|----------|----------|------------|-----------|--------------------------------|
| 148813 | 125.003-3M | M3 | 3 | 3.0 | 12.7 | 11.1 | 7.0 | 5.5 | DIN 13-1, O-ring (NBR) |
| 148814 | 125.003-4M | M3 | 4 | 3.0 | 14.6 | 16.0 | 8.1 | 8 | DIN 13-1, O-ring (NBR) |
| 148815 | 125.005-3M | M5 | 3 | 3.5 | 15.7 | 11.1 | 6.2 | 8 | DIN 13-1, O-ring (NBR) |
| 148816 | 125.005-4M | M5 | 4 | 3.5 | 15.6 | 16.0 | 8.1 | 8 | DIN 13-1, O-ring (NBR) |
| 148817 | 125.005-6M | M5 | 6 | 3.5 | 16.3 | 16.7 | 10.7 | 8 | DIN 13-1, O-ring (NBR) |
| 148818 | 125.006-3M | M6 | 3 | 4.5 | 16.7 | 11.1 | 7.0 | 9 | DIN 13-1, O-ring (NBR) |
| 148819 | 125.006-4M | M6 | 4 | 4.5 | 16.6 | 16.0 | 8.1 | 9 | DIN 13-1, O-ring (NBR) |
| 148820 | 125.006-6M | M6 | 6 | 4.5 | 17.3 | 16.7 | 10.7 | 9 | DIN 13-1, O-ring (NBR) |
| 148823 | 125.018-4M | G 1/8 | 4 | 5.5 | 17.4 | 16.0 | 8.1 | 10 | DIN EN ISO 228-1, O-ring (NBR) |
| 148824 | 125.018-6M | G 1/8 | 6 | 5.5 | 18.3 | 16.7 | 10.7 | 10 | DIN EN ISO 228-1, O-ring (NBR) |
| 148825 | 126.018-4M | R 1/8 | 4 | 8.0 | 17.4 | 16.0 | 8.6 | 10 | ISO 7-1, coated |
| 148826 | 126.018-6M | R 1/8 | 6 | 8.0 | 19.0 | 16.7 | 10.0 | 10 | ISO 7-1, coated |



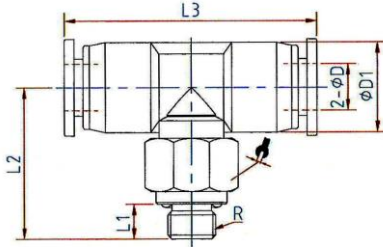
127.005-4M



128.018-4M

Male elbow, long, swivel type, mini

| Art. No. | Type No. | Thread | For tube O.D. mm | L1 mm | L2 mm | L3 mm | Ø D1 mm | a/f mm | Standard thread |
|----------|------------|--------|---------------------|----------|----------|----------|------------|-----------|--------------------------------|
| 148827 | 127.003-3M | M3 | 3 | 3.0 | 19.9 | 11.4 | 6.2 | 5.5 | DIN 13-1, O-ring (NBR) |
| 148828 | 127.003-4M | M3 | 4 | 3.0 | 23.4 | 16.3 | 8.1 | 8 | DIN 13-1, O-ring (NBR) |
| 148829 | 127.005-3M | M5 | 3 | 3.5 | 26.4 | 11.4 | 6.2 | 8 | DIN 13-1, O-ring (NBR) |
| 148830 | 127.005-4M | M5 | 4 | 3.5 | 26.3 | 16.3 | 8.1 | 8 | DIN 13-1, O-ring (NBR) |
| 148831 | 127.005-6M | M5 | 6 | 3.5 | 27.7 | 17.0 | 10.7 | 8 | DIN 13-1, O-ring (NBR) |
| 148832 | 127.006-3M | M6 | 3 | 4.5 | 27.7 | 11.4 | 6.2 | 9 | DIN 13-1, O-ring (NBR) |
| 148833 | 127.006-4M | M6 | 4 | 4.5 | 27.7 | 16.1 | 8.1 | 9 | DIN 13-1, O-ring (NBR) |
| 148834 | 127.006-6M | M6 | 6 | 4.5 | 29.0 | 16.4 | 10.7 | 9 | DIN 13-1, O-ring (NBR) |
| 148835 | 127.018-4M | G 1/8 | 4 | 5.5 | 29.4 | 15.9 | 8.1 | 10 | DIN EN ISO 228-1, O-ring (NBR) |
| 148836 | 127.018-6M | G 1/8 | 6 | 5.5 | 31.0 | 16.4 | 10.7 | 10 | DIN EN ISO 228-1, O-ring (NBR) |
| 148837 | 128.018-4M | R 1/8 | 4 | 8.0 | 29.1 | 15.9 | 8.1 | 10 | ISO 7-1, coated |
| 148838 | 128.018-6M | R 1/8 | 6 | 8.0 | 30.5 | 16.4 | 10.7 | 10 | ISO 7-1, coated |



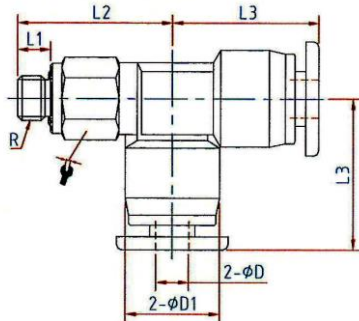
131.005-4M



132.018-4M

Male branch tee, swivel type, mini

| Art. No. | Type No. | Thread | For tube O.D. mm | L1 mm | L2 mm | L3 mm | ∅ D1 mm | a/f mm | Standard thread |
|----------|------------|--------|---------------------|----------|----------|----------|------------|-----------|--------------------------------|
| 148839 | 131.003-3M | M3 | 3 | 3.0 | 12.8 | 22.8 | 6.2 | 5.5 | DIN 13-1, O-ring (NBR) |
| 148840 | 131.003-4M | M3 | 4 | 3.0 | 15.3 | 29.1 | 8.1 | 8 | DIN 13-1, O-ring (NBR) |
| 148841 | 131.005-3M | M5 | 3 | 3.5 | 14.2 | 22.8 | 6.2 | 8 | DIN 13-1, O-ring (NBR) |
| 148842 | 131.005-4M | M5 | 4 | 3.5 | 15.8 | 29.1 | 8.4 | 8 | DIN 13-1, O-ring (NBR) |
| 148843 | 131.005-6M | M5 | 6 | 3.5 | 17.0 | 32.8 | 10.7 | 8 | DIN 13-1, O-ring (NBR) |
| 148844 | 131.006-3M | M6 | 3 | 4.5 | 15.1 | 22.8 | 6.2 | 9 | DIN 13-1, O-ring (NBR) |
| 148845 | 131.006-4M | M6 | 4 | 4.5 | 16.8 | 29.4 | 8.1 | 9 | DIN 13-1, O-ring (NBR) |
| 148846 | 131.006-6M | M6 | 6 | 4.5 | 18.0 | 32.8 | 10.7 | 9 | DIN 13-1, O-ring (NBR) |
| 148847 | 131.018-4M | G 1/8 | 4 | 5.5 | 18.6 | 29.4 | 8.1 | 10 | DIN EN ISO 228-1, O-ring (NBR) |
| 148848 | 131.018-6M | G 1/8 | 6 | 5.5 | 19.8 | 32.8 | 10.7 | 10 | DIN EN ISO 228-1, O-ring (NBR) |
| 148849 | 132.018-4M | R 1/8 | 4 | 7.5 | 19.1 | 29.4 | 8.1 | 10 | ISO 7-1, coated |
| 148850 | 132.018-6M | R 1/8 | 6 | 7.5 | 19.8 | 32.8 | 10.7 | 10 | ISO 7-1, coated |



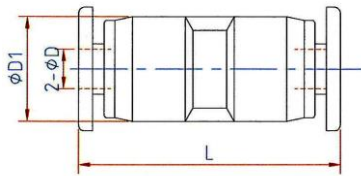
129.005-6M



130.018-4M

Male branch tee, angled plug connections, swivel type, mini

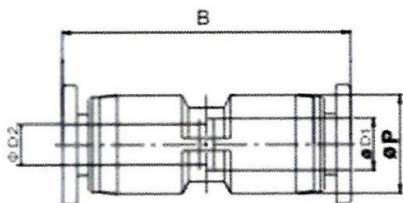
| Art. No. | Type No. | Thread | For tube O.D. mm | L1 mm | L2 mm | L3 mm | ∅ D1 mm | a/f mm | Standard thread |
|----------|------------|--------|---------------------|----------|----------|----------|------------|-----------|--------------------------------|
| 148851 | 129.003-3M | M3 | 3 | 3.0 | 13.1 | 11.4 | 6.2 | 5.5 | DIN 13-1, O-ring (NBR) |
| 148852 | 129.003-4M | M3 | 4 | 3.0 | 15.4 | 14.7 | 8.1 | 8 | DIN 13-1, O-ring (NBR) |
| 148853 | 129.005-3M | M5 | 3 | 3.5 | 14.1 | 11.4 | 6.2 | 8 | DIN 13-1, O-ring (NBR) |
| 148854 | 129.005-4M | M5 | 4 | 3.5 | 15.4 | 14.7 | 8.1 | 8 | DIN 13-1, O-ring (NBR) |
| 148855 | 129.005-6M | M5 | 6 | 3.5 | 16.9 | 16.4 | 10.7 | 8 | DIN 13-1, O-ring (NBR) |
| 148856 | 129.006-3M | M6 | 3 | 4.5 | 14.8 | 11.4 | 6.2 | 9 | DIN 13-1, O-ring (NBR) |
| 148857 | 129.006-4M | M6 | 4 | 4.5 | 17.1 | 14.7 | 8.1 | 9 | DIN 13-1, O-ring (NBR) |
| 148858 | 129.006-6M | M6 | 6 | 4.5 | 17.6 | 16.4 | 10.7 | 9 | DIN 13-1, O-ring (NBR) |
| 148859 | 129.018-4M | G 1/8 | 4 | 5.5 | 18.6 | 14.7 | 8.1 | 10 | DIN EN ISO 228-1, O-ring (NBR) |
| 148860 | 129.018-6M | G 1/8 | 6 | 5.5 | 20.0 | 16.4 | 10.7 | 10 | DIN EN ISO 228-1, O-ring (NBR) |
| 148861 | 130.018-4M | R 1/8 | 4 | 7.5 | 18.6 | 14.7 | 8.1 | 10 | ISO 7-1, coated |
| 148862 | 130.018-6M | R 1/8 | 6 | 8.0 | 19.8 | 16.4 | 10.9 | 10 | ISO 7-1, coated |



135.004M

Union, mini

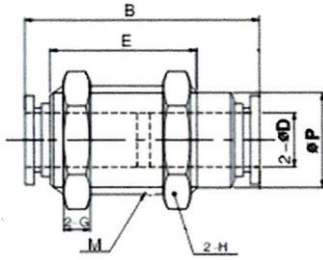
| Art. No. | Type No. | For tube O.D. mm | L mm | $\phi D1$ mm |
|----------|----------|---------------------|---------|-----------------|
| 148863 | 135.003M | 3 | 19.8 | 6.2 |
| 148864 | 135.004M | 4 | 25.2 | 8.1 |
| 148865 | 135.006M | 6 | 26.3 | 10.7 |



136.0403M

Reducer, mini

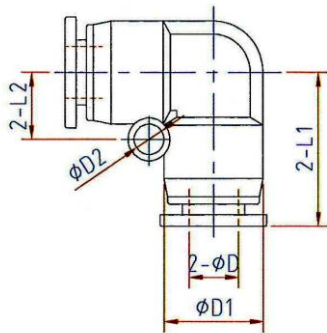
| Art. No. | Type No. | For tube O.D. mm | B mm | ϕP mm |
|----------|-----------|---------------------|---------|----------------|
| 148866 | 136.0403M | 4/3 | 24.9 | 8.1 |
| 148867 | 136.0604M | 6/4 | 26.1 | 10.7 |



149.012-3M

Bulkhead connector, mini

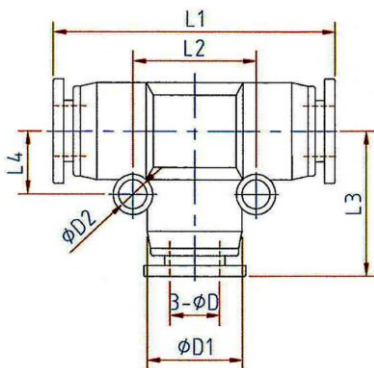
| Art. No. | Type No. | Thread | For tube O.D. mm | B mm | Ø P mm | E mm | H mm | G mm |
|----------|------------|---------|---------------------|---------|-----------|---------|---------|---------|
| 148868 | 149.008-3M | M8x0.75 | 3 | 22.0 | 5.5 | 13.0 | 10.0 | 2.3 |
| 148869 | 149.010-4M | M10x1 | 4 | 25.2 | 8.0 | 13.5 | 12.0 | 3.0 |
| 148870 | 149.012-3M | M12x1 | 6 | 26.9 | 10.0 | 15.2 | 14.0 | 4.0 |



137.004M

Union elbow, mini

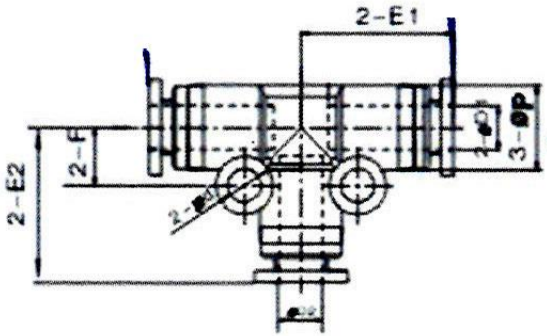
| Art. No. | Type No. | For tube O.D. mm | Ø D1 mm | Ø D2 mm | 2-L1 mm | L2 mm |
|----------|----------|---------------------|------------|------------|------------|----------|
| 148871 | 137.003M | 3 | 6.2 | 3.2 | 11.4 | 4.8 |
| 148872 | 137.004M | 4 | 8.1 | 3.2 | 14.6 | 6.1 |
| 148873 | 137.006M | 6 | 10.7 | 3.2 | 16.2 | 7.0 |



138.004M

Union tee, mini

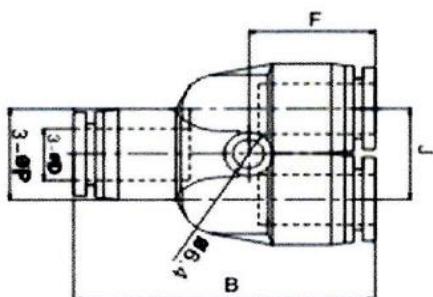
| Art. No. | Type No. | For tube O.D. mm | L1 mm | L2 mm | L3 mm | L4 mm | Ø D1 mm | Ø D2 mm |
|----------|----------|---------------------|----------|----------|----------|----------|------------|------------|
| 148877 | 138.003M | 3 | 22.8 | 9.8 | 11.4 | 4.7 | 6.2 | 3.2 |
| 148878 | 138.004M | 4 | 29.2 | 12.0 | 15.5 | 6.0 | 8.1 | 3.2 |
| 148879 | 138.006M | 6 | 32.8 | 18.0 | 15.9 | 7.0 | 10.7 | 3.3 |



138.0604M

Union tee, unequal, mini

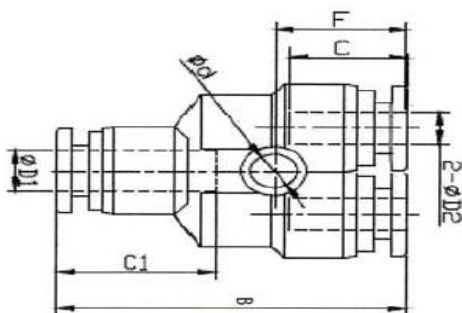
| Art. No. | Type No. | For tube O.D. mm | Ø P mm | E1 mm | Ø d mm | F mm | E2 mm |
|----------|-----------|---------------------|-----------|----------|-----------|---------|----------|
| 148880 | 138.0403M | 4/3 | 8.1 | 14.7 | 3.2 | 6.0 | 14.4 |
| 148881 | 138.0604M | 6/4 | 10.7 | 16.4 | 3.2 | 7.0 | 16.2 |



140.003M

Y union, mini

| Art. No. | Type No. | For tube O.D. mm | B mm | Ø P mm | J mm | F mm |
|----------|----------|---------------------|---------|-----------|---------|---------|
| 148882 | 140.003M | 3 | 28.8 | 8.1 | 8.1 | 12.9 |
| 148883 | 140.004M | 4 | 29.2 | 8.2 | 8.4 | 13.3 |
| 148884 | 140.006M | 6 | 31.8 | 10.7 | 10.7 | 13.4 |



141.0403M

Y union, unequal, mini

| Art. No. | Type No. | For tube O.D. mm | C1 mm | C mm | B mm | Ø d mm | F mm |
|----------|-----------|---------------------|----------|---------|---------|-----------|---------|
| 148885 | 141.0403M | 4/3 | 12.0 | 9.3 | 29.1 | 3.2 | 12.9 |
| 148886 | 141.0604M | 6/4 | 12.4 | 12.0 | 31.6 | 3.2 | 13.2 |